

OPERATING MANUAL

Technical Description. Installation Manual. Certificate.

1. PURPOSE

Promix-VI.LED.01 arrow-cross mnemonic diagram is intended for access monitoring and control systems (AMCS). It indicates the status of passage controlled by AMCS or indicates premises occupancy. For example, premises where automated teller machine is placed.

2. OPERATING CONDITIONS

- resistance to climatic factors as per GOST15150-69:UHL2;
- ambient temperature: from -40 to +50°C;
- air relative humidity no higher than 95% at +35°C or lower temperatures without moisture condensation and frost formation.

3. SCOPE OF DELIVERY

1 – LED mnemonic diagram	1 pc.
2 – Operating manual	1 pc.
3 – Self-tapping screw 3x30 (countersunk)	2 pcs
4 – Decorative cover	2 pcs

Check the scope of delivery of the product when buying! After buying, the manufacturer will not accept claims related to incomplete scope of delivery.

4. TECHNICAL DATA

Supply voltage (Direct current), V	9–16
Power consumption (at 12 V), A, maximum	0,015
Control voltage level, V, maximum	16
Control input impedance, kOhm, minimum	100
Weight, g, max.	20
Overall dimensions, mm	35x55x9

[Promix-VI.LED.01](#)

Mnemonic diagram is supplied in casing of obscure plexiglass with two fixing holes.

In accordance with individual order, it is possible to produce mnemonic diagram with the power supply voltage of 5 V.

Mnemonic diagram is connected via four-wire cable with a length of 0.3 meters with color marking of wires.

Wire color	Purpose
White	0 V
Yellow	+ 12 V
Green	Control1
Brown	Control2

5. MODE OF ACTION

Depending on the level of control signal 12 V or 0 V in one of the wires Control1 (green) or Control2 (brown), the cross or arrow is enabled on mnemonic diagram.

Wire	Mnemonic diagram status	
Green	+12 V – arrow lighting	0 V – cross lighting
Brown	+12 V – cross lighting	0 V – arrow lighting

6. INSTALLATION AND CONNECTION

It is recommended to install the mnemonic diagram on a vertical surface above the AMCS reader. Mnemonic diagram is fastened with two self-tapping screws with their holes to be closed by decorative covers.

Mnemonic diagram is connected to controller in accordance with color marking of wires (see cl. 4). Insulate the unused control wire.

Mnemonic diagram is installed and connected to the AMCS controller when the controller is deenergized.

The Figure below shows scheme for connection of mnemonic diagram as the room busy indicator to normally open lock (normally open electromagnetic lock is closed when under current and is opened when deenergized), to normally closed lock (normally closed electromagnetic lock is opened when under current and is closed when deenergized) as well as to [Promix- CS.PD.01](#) controller restricting access to automatic teller machine.

Ensure a reliable electric contact. To prevent short-circuit, insulate the places of connection. Avoid supply of overvoltage.

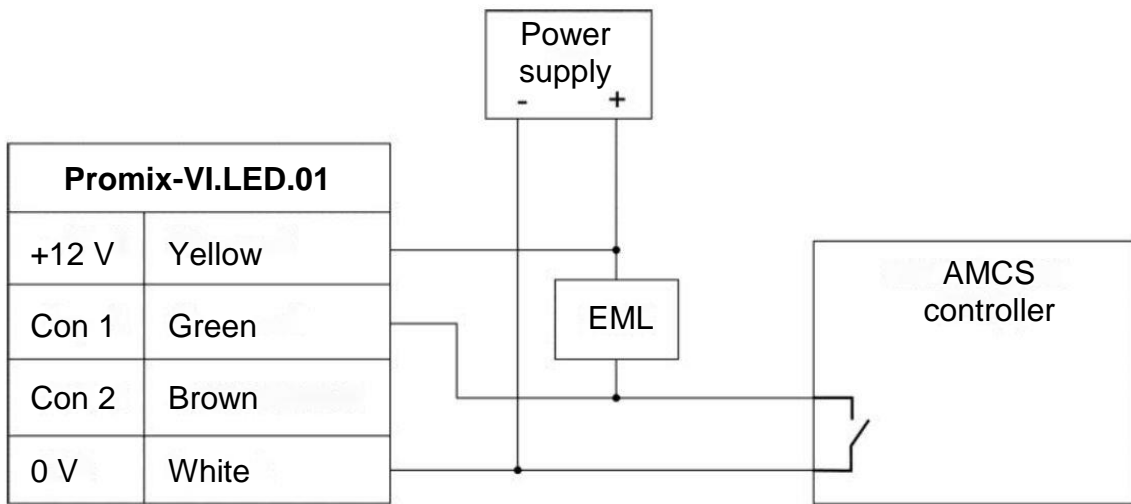


Fig.1 Connection to a normally open lock

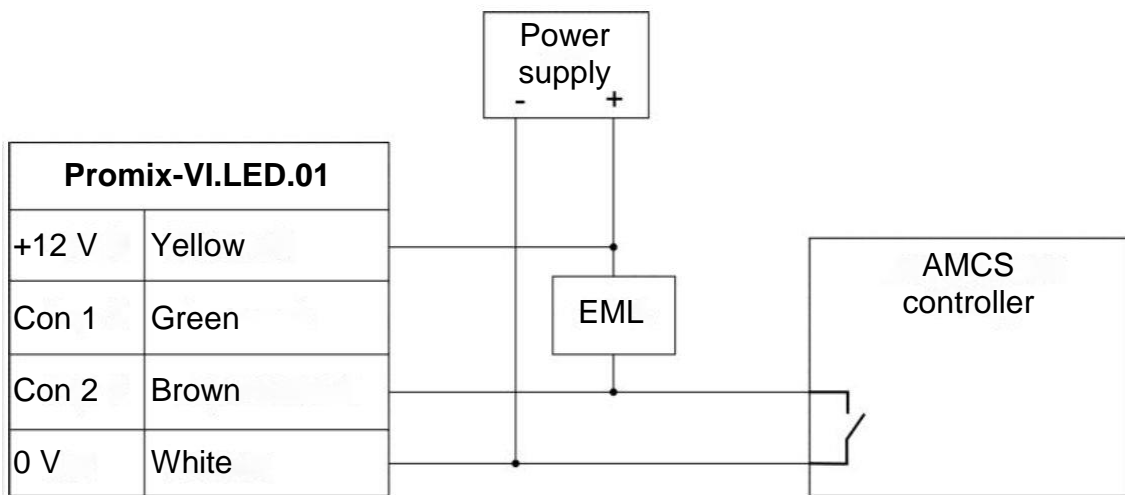


Fig. 2. Connection to a normally closed lock

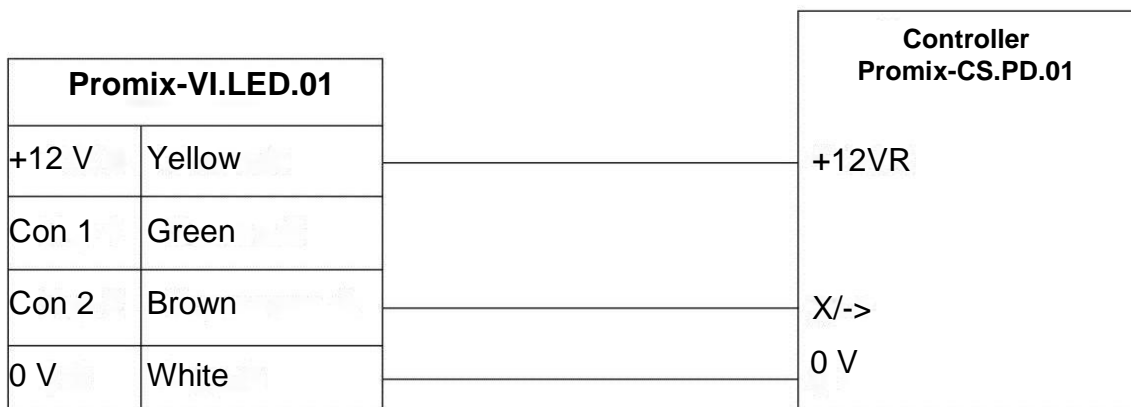


Fig. 3. Connection to the Promix-CS.PD.01 controller

7. MAINTENANCE

Promix-VI.LED.01 mnemonic diagram does not need any special maintenance.

8. SAFETY REQUIREMENTS AND ENVIRONMENTAL PROTECTION

Promix-VI.LED.01 mnemonic diagram does not pose a hazard for life, health of people and environment after the end of service life. It is disposed without taking any special measures for the environmental protection.

9. STORAGE AND TRANSPORTATION

Until start of operation, the products must be stored in the manufacturer's package, in rooms with the ambient temperature of -30 to +50°C and the relative humidity no higher than 98% at 25°C in compliance with the storage conditions as per GOST 15150-69.

Product transportation conditions must comply with the group C as per GOST 23216-78 in terms of exposure to mechanical factors, and the group Ж2 as per GOST 15150-69 in terms of exposure to climatic factors.

10. WARRANTY LIABILITIES

The manufacturer, ETC PROMIX LLC, guarantees conformity of the products to the requirements of the current technical specifications provided that the transportation, storage, installation and operation rules established in this Manual are followed.

The warranted operation period is 12 months from the date of sale but not longer than 18 months from the day of acceptance by the manufacturer's QCD.

Within the warranty period ETC PROMIX LLC is obliged to repair defective products free of charge. Expenses for transporting the products to the place of repair and back will be borne by the Buyer.

Warranty liabilities do not cover any defects and damages caused by:

- Improper maintenance by the Buyer;
- Use of the product under conditions that do not comply with the operation requirements;
- Mechanical damages or disassembly of the products by the Buyer;
- Non-observance of the transportation and storage rules.

Faulty products are accepted for repair only in complete set, with the obligatory condition that factory labels are retained on the product body.

Upon expiration of the warranty service period, the manufacturer provides after-warranty service on a contractual basis.

To improve product quality the manufacturer reserves the right to make modifications to the product design without prior notice.

11. ACCEPTANCE AND PACKING CERTIFICATE

Promix-VI.LED.01 mnemonic diagram in quantity of ____pieces (1 piece by default) bearing the manufacturing date and QCD mark on the body, was manufactured and accepted in compliance with the obligatory requirements of the state standards and the current technical documentation, recognized as fit for operation and packed by ETC PROMIX LLC.

Engineering and Technical Center PROMIX LLC
Russia, 214030, Smolensk, Krasninskoe highway, 35, letter A
Phone: (4812) 619-330
www.promix-center.ru
vk.com/promixcenter
facebook.com/promixcenter
mail@promix-center.ru

EAC

